

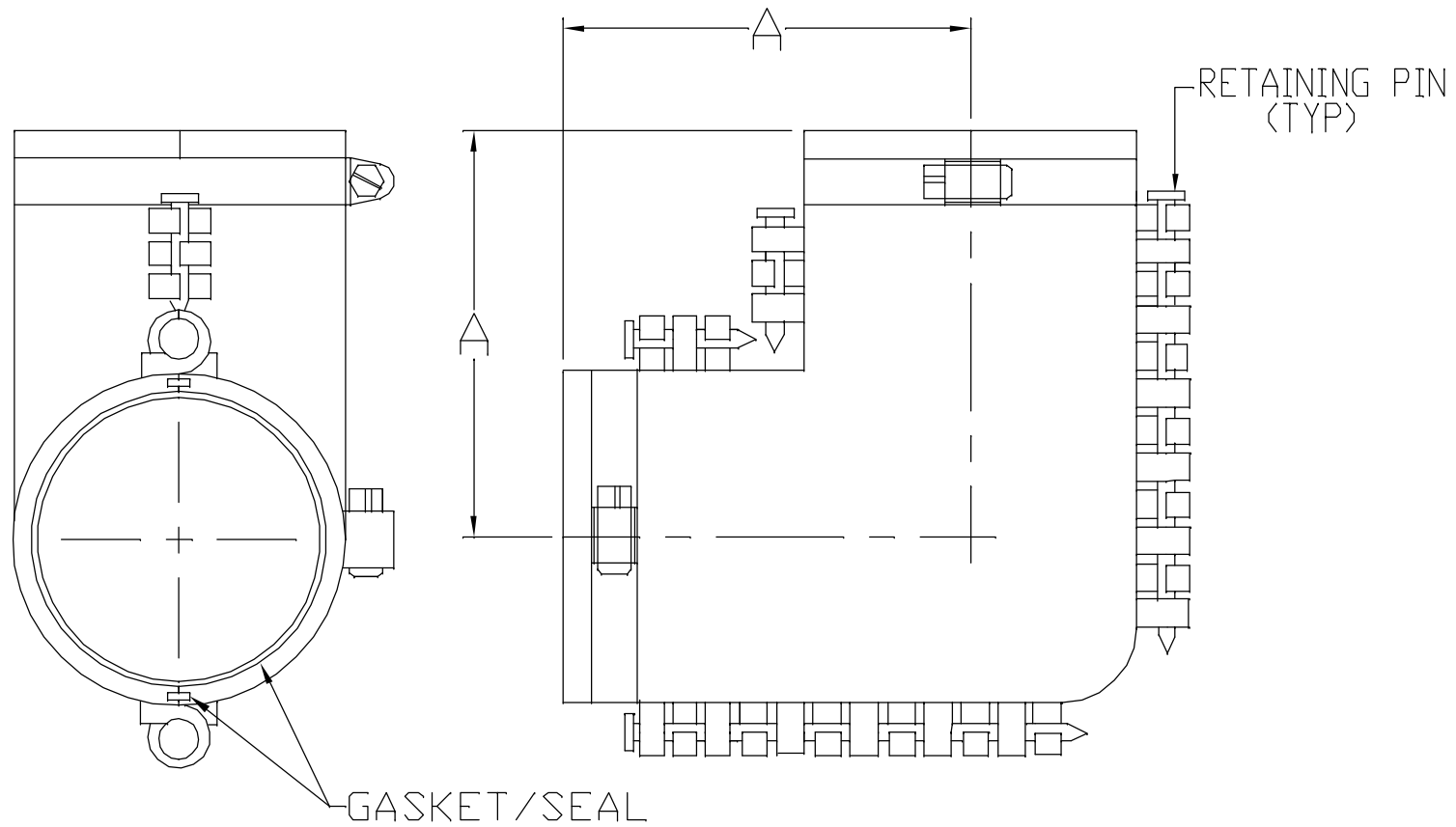
STYLE: GASKETED

PART NUMBER	MATL:	4"	6"
	CLEAR PVC	C91040	C91060
	BLACK POLYPRO	P91040	P91060

PIPE SIZE	DIMENSIONS	
	A	B
	4"	11" 5 1/2"
6"	18 1/2"	9 1/4"

FLO SAFE, INC.			
CONTAINMENT FITTINGS			
90 DEGREE TEE'S			
DATE	BY	DWG NO.	REV
10/20/00	BW	00001396	

REF: 100194



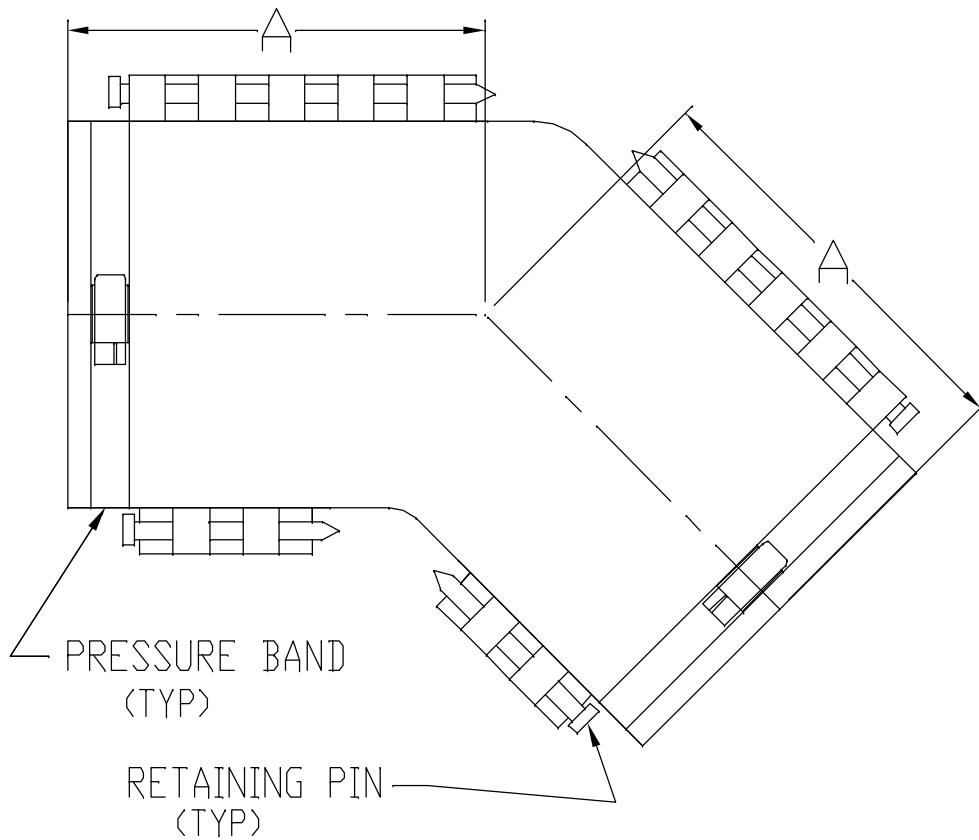
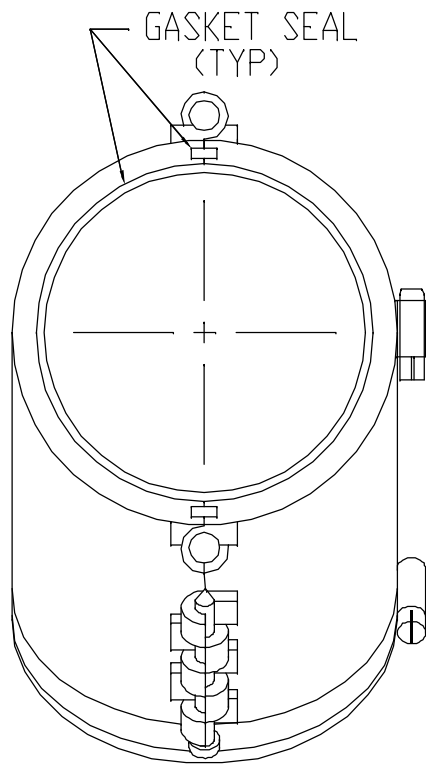
STYLE: GASKETED

PART NUMBER	MATL:	4"	6"
	CLEAR PVC	C96040	C96060
	BLACK POLYPRO	P96040	P96060

PIPE SIZE	DIMENSIONS	
	A	
4"	5 $\frac{1}{2}$ "	
6"	10 $\frac{3}{4}$ "	

FLO SAFE, INC.			
CONTAINMENT FITTINGS 90 DEGREE ELBOWS			
DATE	BY	DWG NO	REV
10/20/00	BW	00001399	

REF: 100294



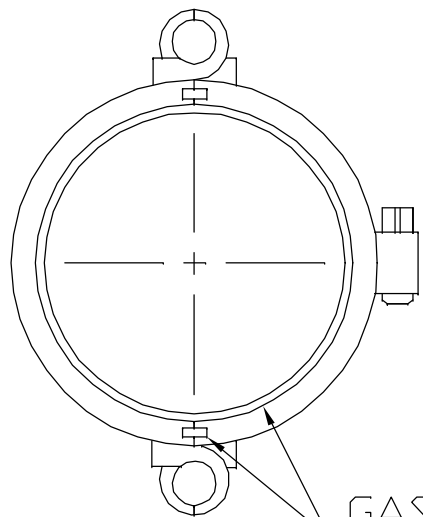
STYLE: GASKETED

PART NUMBER	MATL:	4"	6"
	CLEAR PVC	C97040	C97060
	BLACK POLYPRO	P97040	P97060

PIPE SIZE	DIMENSIONS	
	A	
4"	5½"	
6"	8"	

FLO SAFE, INC.			
CONTAINMENT FITTINGS 45 DEGREE ELBOWS			
DATE	BY	DWG NO.	REV
10/20/00	BW	00001400	

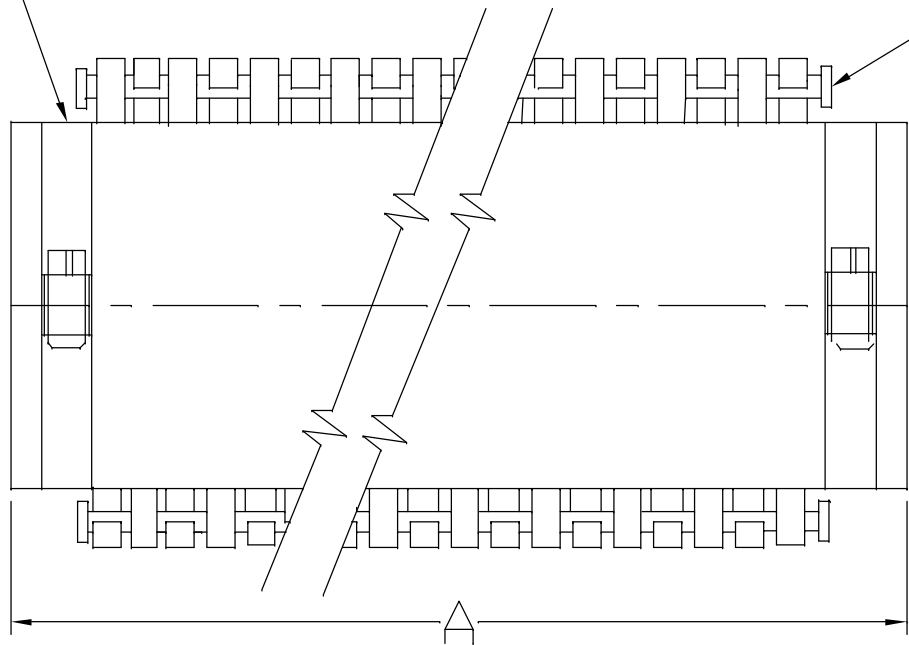
REF: 100394



PRESSURE BAND (TYP)

GASKET / SEAL

RETAINING PIN (TYP)



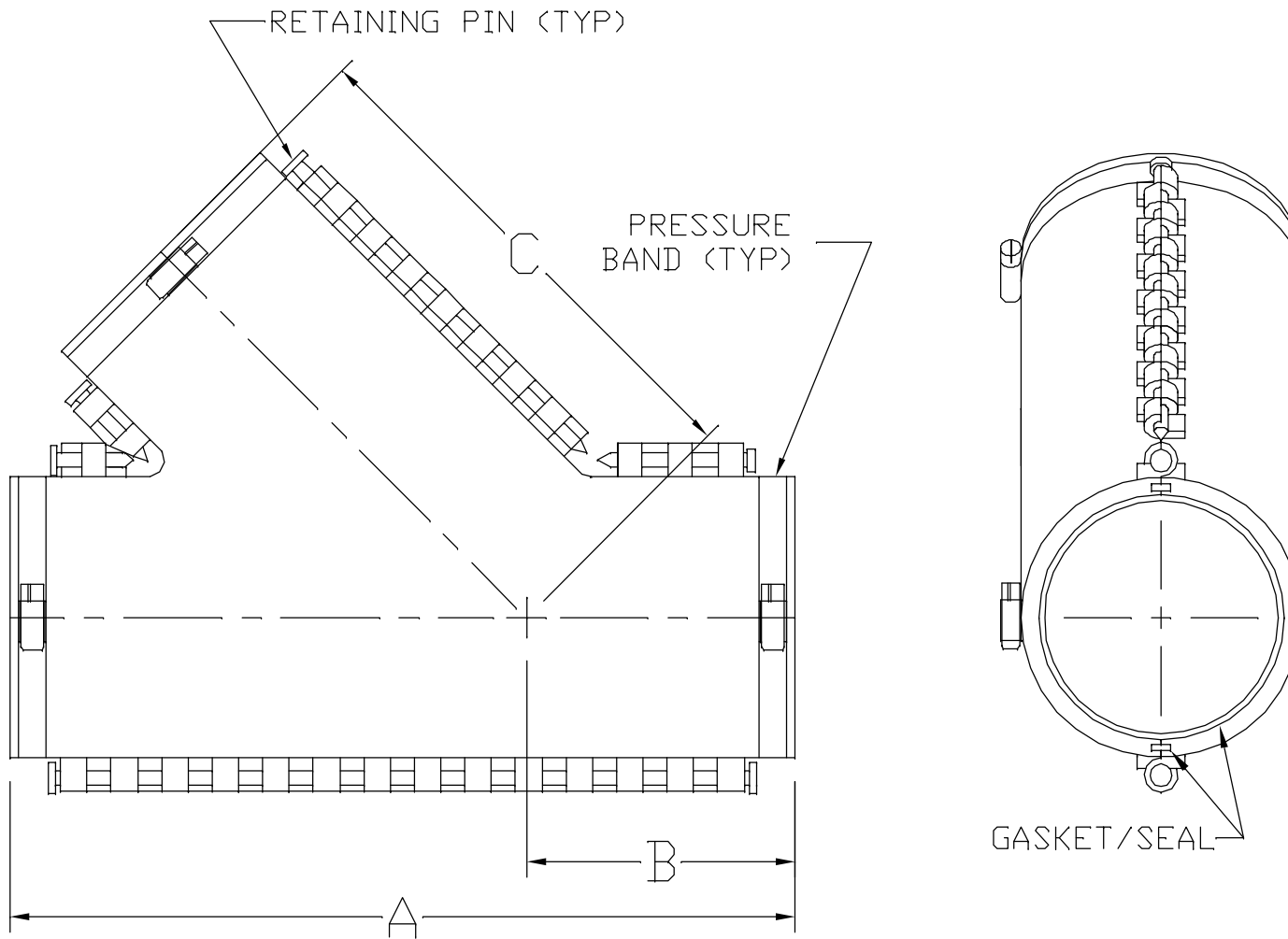
STYLE: GASKETED

PART NUMBER	MATL:	4"	6"
	CLEAR PVC	C99040	C99060
	BLACK POLYPRO	P99040	P99060

PIPE SIZE	DIMENSIONS		
	A		
4"	18"		
6"	18"		

FLO SAFE, INC.			
CONTAINMENT FITTINGS COUPLING (SPLIT)			
DWG	DATE	BY	DWG NO
	10/20/00	BW	00001402
			REV

REF: 100494



STYLE: GASKETED

PART NUMBER	MATL:	4"	6"
	CLEAR PVC	C94040	C94060
	BLACK POLYPRO	P94040	P94060

PIPE SIZE	DIMENSIONS		
	A	B	C
4"	14 $\frac{1}{4}$ "	5"	9 $\frac{1}{4}$ "
6"	22"	8 $\frac{3}{4}$ "	13 $\frac{1}{4}$ "

FLO SAFE, INC.			
CONTAINMENT FITTINGS			
45 WYE (SPLIT)			
DATE	10/20/00	BY	BW
DWG NO.	00001404	REV	

REF: 100594