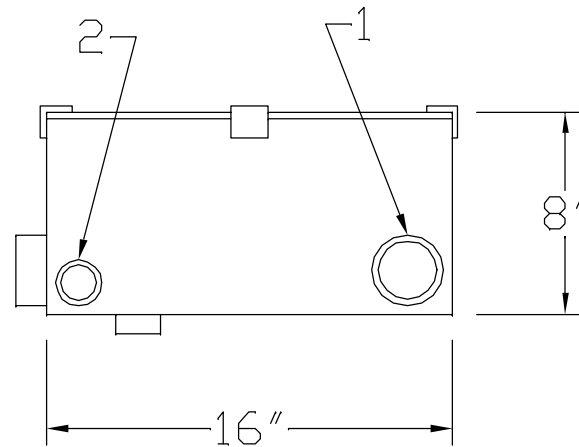
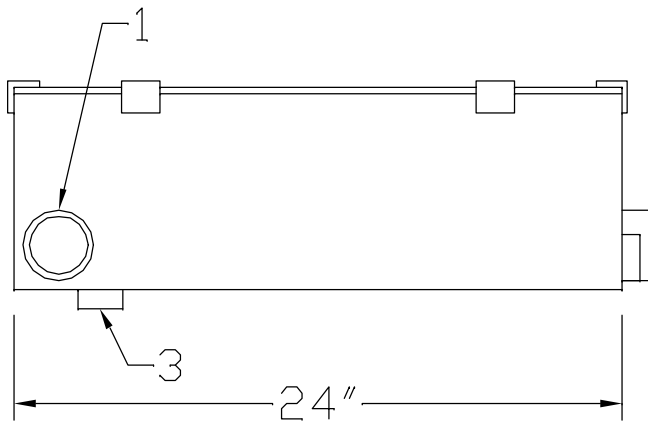


1. 2" SOCKET FITTING FOR ENTRY OR EXIT OF VALVE BO
2. LEAK DETECTION FITTING
3. DRAIN FITTING
4. CLEAR PVC COVER WITH GASKET SEAL
5. SPRING CLIP COVER LATCH TOTAL OF 6 CLIPS



NOTE: FITTINGS CAN BE LOCATED TO CUSTOMER SPECIFICATIONS

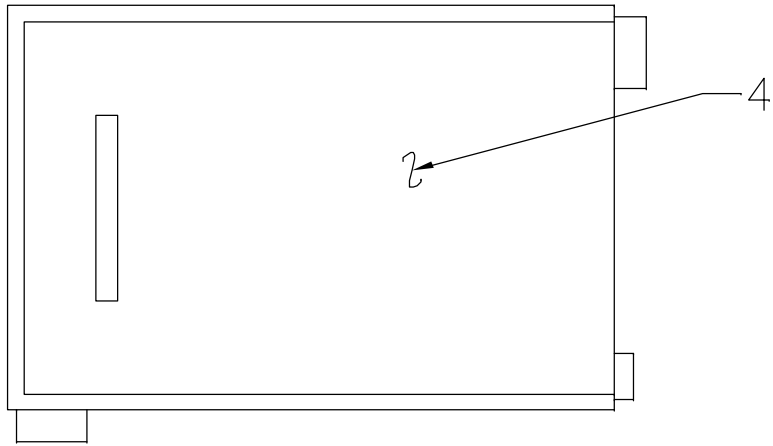
MATERIAL: PVC; BOX IS 1/4" GRAY PVC

FLO SAFE, INC.

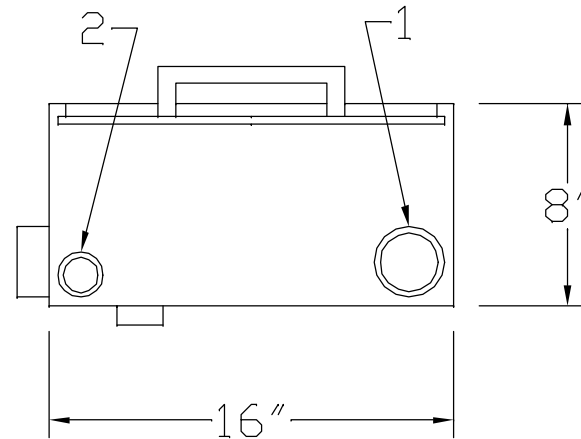
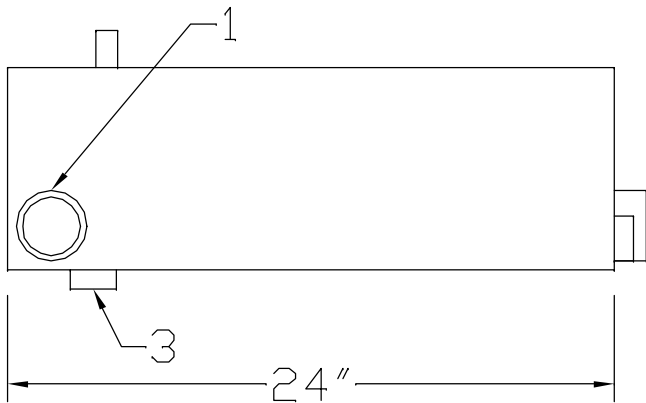
PVC VALVE/PULL BOX FOR
2" CONTAINMENT LINE
(CLIP ON GASKETED COVER)

REF: DETAIL TVB-CL

DATE	5/11/00	BY	TN	DWG NO.	00001420	REV
------	---------	----	----	---------	----------	-----



1. 2" SOCKET FITTING FOR ENTRY OR EXIT OF VALVE BODY
2. LEAK DETECTION FITTING
3. DRAIN FITTING
4. CLEAR PVC SLIDING COVE WITH HANDLE



NOTE: FITTINGS CAN BE LOCATED TO CUSTOMER SPECIFICATIONS

MATERIAL: PVC; BOX IS 1/4" GRAY PVC

FLO SAFE, INC.

PVC VALVE/PULL BOX FOR
2" CONTAINMENT LINE
(SLIDING CLEAR COVER)

REF: DETAIL TVB-CST

DATE	BY	DWG NO.	REV
5/11/00	TN	00001421	