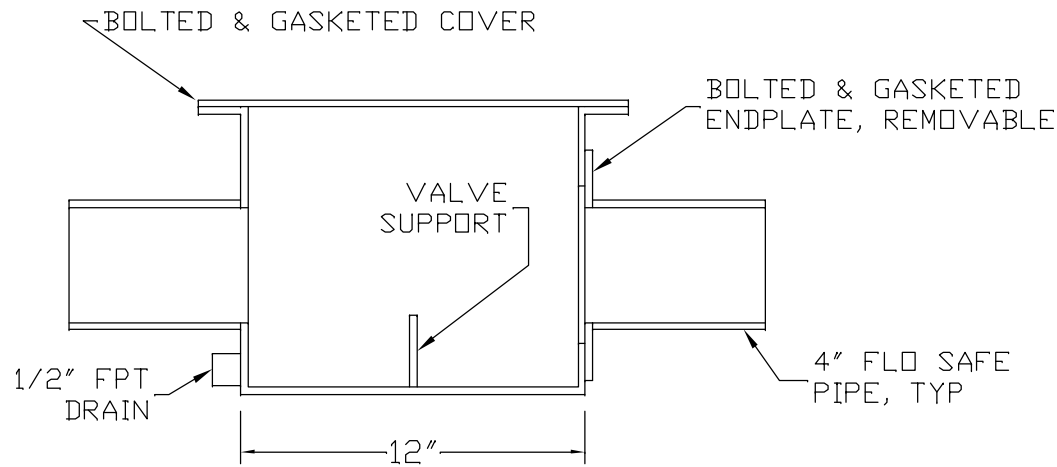
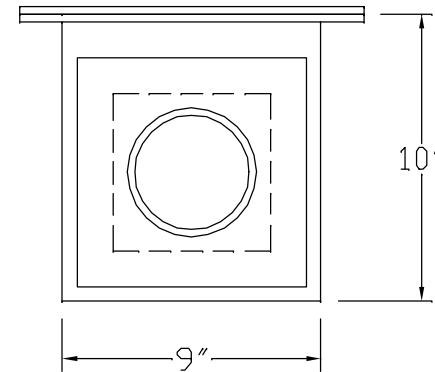


NOTE: AS WITH THE NATURE OF FABRICATED BOXES, FLO SAFE CONTAINMENT BOXES CAN NOT BE AIR TESTED AND MAY ONLY BE WATER TESTED.

IF PIPING IS TO BE AIR TESTED, THE PIPING CONTAINMENT SYSTEM SHOULD BE TERMINATED DOWN PRIOR TO THE CONTAINMENT BOX WITH TERMINATING COUPLINGS AS OFFERED BY FLO SAFE SYSTEMS. THE CONTAINMENT BOX MAY BE HYDROSTATICALLY TESTED FOR LEAKS BY FILLING THE BOX WITH WATER. A DRAIN IS LOCATED IN THE BOTTOM OF THE BOX FOR DISPOSAL OF WATER AFTER TESTING.



VIEW A-A

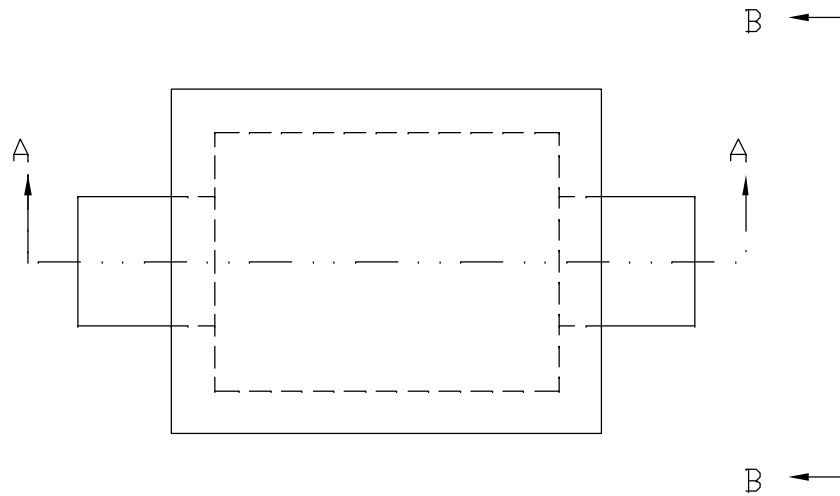


VIEW B-B

NOTE:  
 DIMENSIONS MAY VARY WITH EACH APPLICATION  
 MATERIAL: POLYPROPYLENE  
 REF: DETAIL 60894

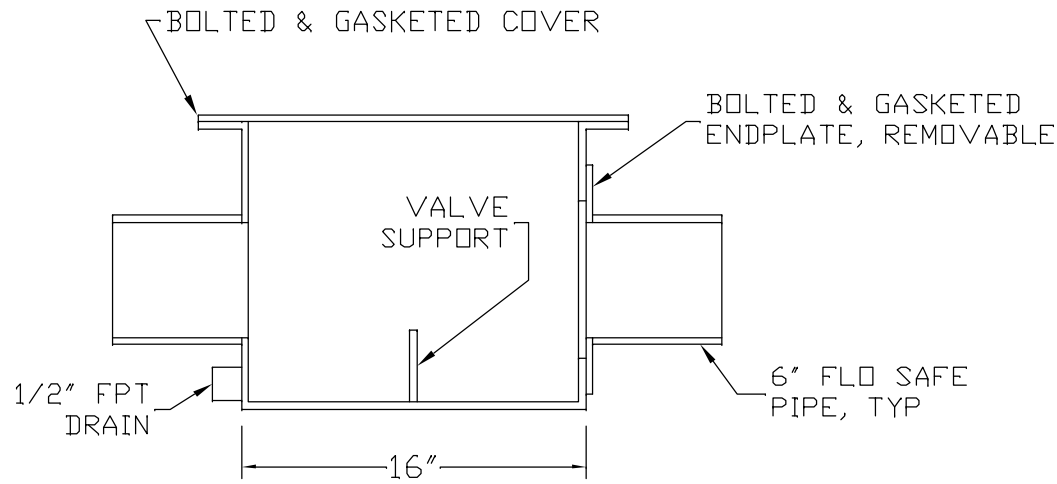
PART # V 92004

FLO SAFE, INC.			
VALVE BOX FOR 4" SYSTEM			
DATE	BY	DWG NO.	REV
5/11/00	TN	00001422	

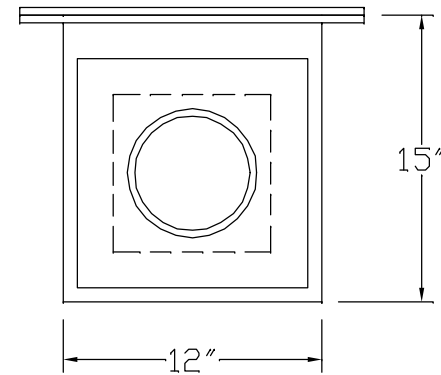


NOTE: AS WITH THE NATURE OF FABRICATED BOXES, FLO SAFE CONTAINMENT BOXES CAN NOT BE AIR TESTED AND MAY ONLY BE WATER TESTED.

IF PIPING IS TO BE AIR TESTED, THE PIPING CONTAINMENT SYSTEM SHOULD BE TERMINATED DOWN PRIOR TO THE CONTAINMENT BOX WITH TERMINATING COUPLINGS AS OFFERED BY FLO SAFE SYSTEMS. THE CONTAINMENT BOX MAY BE HYDROSTATICALLY TESTED FOR LEAKS BY FILLING THE BOX WITH WATER. A DRAIN IS LOCATED IN THE BOTTOM OF THE BOX FOR DISPOSAL OF WATER AFTER TESTING.



VIEW A-A

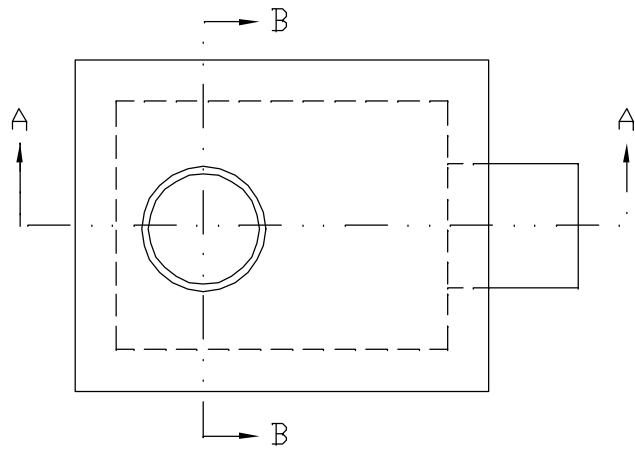


VIEW B-B

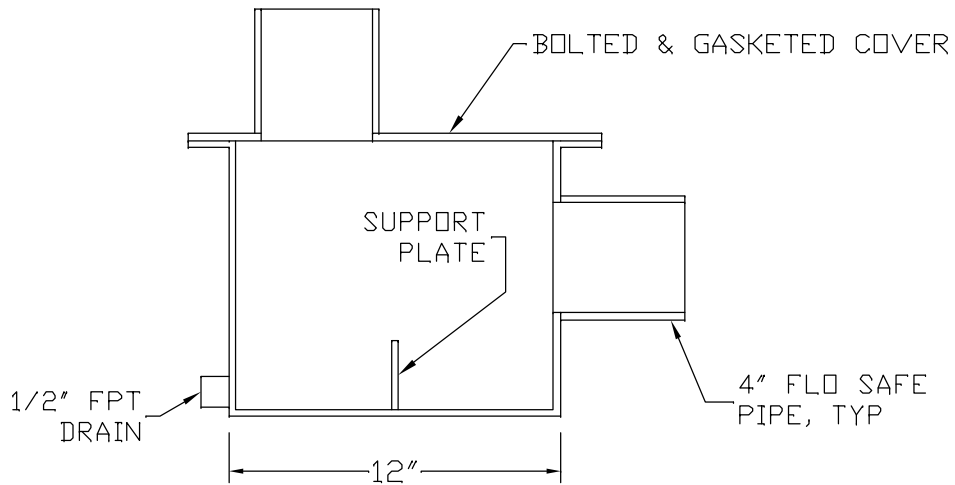
NOTE:  
DIMENSIONS MAY VARY WITH EACH APPLICATION  
MATERIAL: POLYPROPYLENE  
REF: DETAIL 60794

PART # V 92006

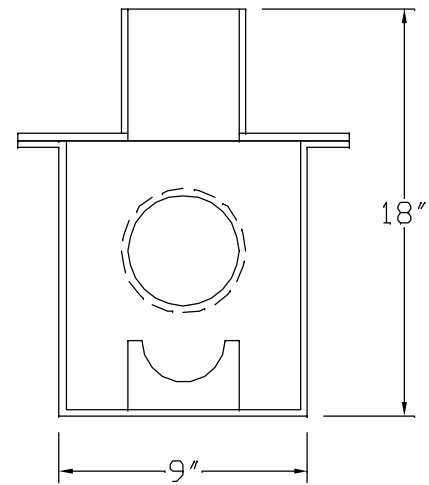
FLO SAFE, INC.			
VALVE BOX FOR 6" SYSTEM			
DATE	BY	DWG NO.	REV
5/11/00	TN	00001423	



NOTE: AS WITH THE NATURE OF FABRICATED BOXES FLO SAFE CONTAINMENT BOXES CAN NOT BE AIR TESTED AND MAY ONLY BE WATER TESTED. IF PIPING IS TO BE AIR TESTED, THE PIPING CONTAINMENT SYSTEM SHOULD BE TERMINATED DOWN PRIOR TO THE CONTAINMENT BOX WITH TERMINATING COUPLINGS AS OFFERED BY FLO SAFE SYSTEMS. THE CONTAINMENT BOX MAY BE HYDROSTATICALLY TESTED FOR LEAKS BY FILLING THE BOX WITH WATER. A DRAIN IS LOCATED IN THE BOTTOM OF THE BOX FOR DISPOSAL OF WATER AFTER TESTING.



VIEW A-A



VIEW B-B

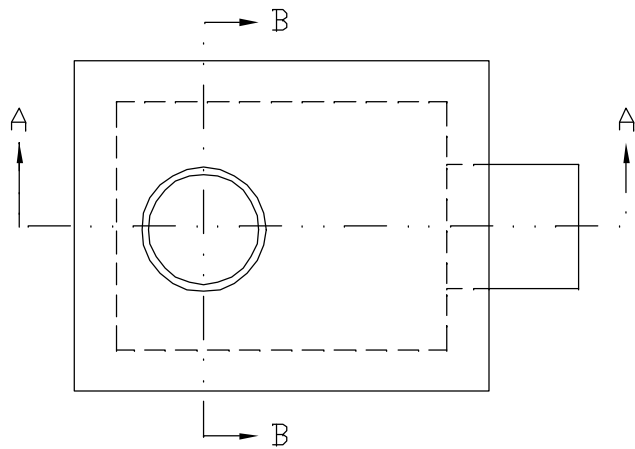
NOTE:  
 DIMENSIONS MAY VARY WITH EACH APPLICATION DEPENDING ON P-TRAP  
 MATERIAL: POLYPROPYLENE  
 REF: DETAIL 60494

PART # P 92004

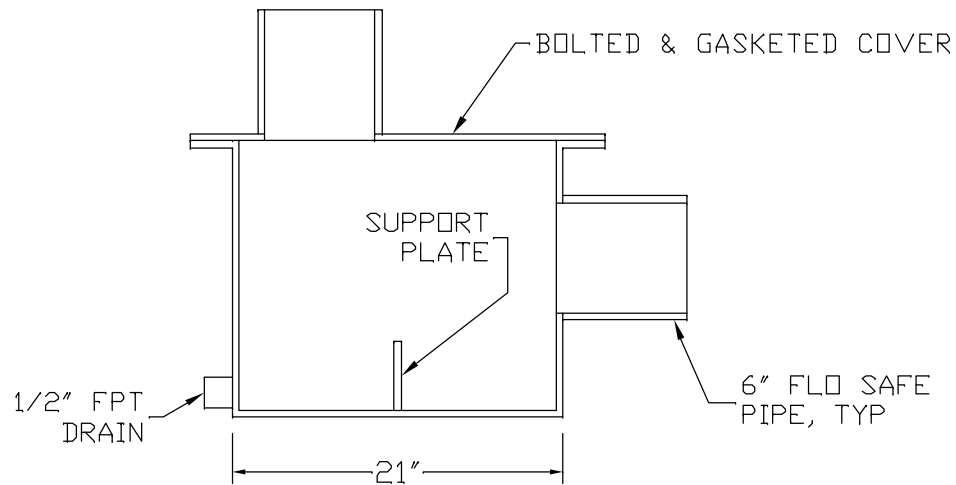
FLO SAFE, INC.

P-TRAP BOX FOR  
 4" SYSTEM

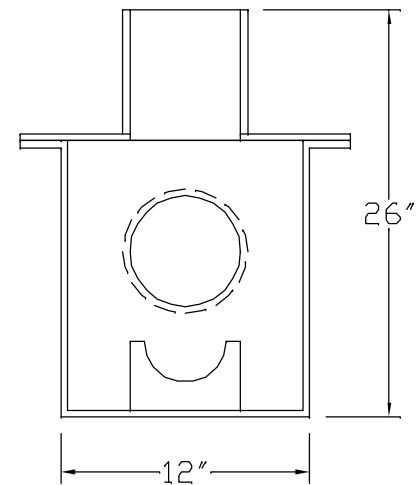
DATE	BY	DWG NO.	REV
5/11/00	TN	00001424	



NOTE: AS WITH THE NATURE OF FABRICATED BOXES, FLO SAFE CONTAINMENT BOXES CAN NOT BE AIR TESTED AND MAY ONLY BE WATER TESTED.  
 IF PIPING IS TO BE AIR TESTED, THE PIPING CONTAINMENT SYSTEM SHOULD BE TERMINATED DOWN PRIOR TO THE CONTAINMENT BOX WITH TERMINATING COUPLINGS AS OFFERED BY FLO SAFE SYSTEMS. THE CONTAINMENT BOX MAY BE HYDROSTATICALLY TESTED FOR LEAKS BY FILLING THE BOX WITH WATER. A DRAIN IS LOCATED IN THE BOTTOM OF THE BOX FOR DISPOSAL OF WATER AFTER TESTING.



VIEW A-A



VIEW B-B

NOTE:  
 DIMENSIONS MAY VARY WITH EACH APPLICATION DEPENDING ON P-TRAP  
 MATERIAL: POLYPROPYLENE  
 REF: DETAIL 60394

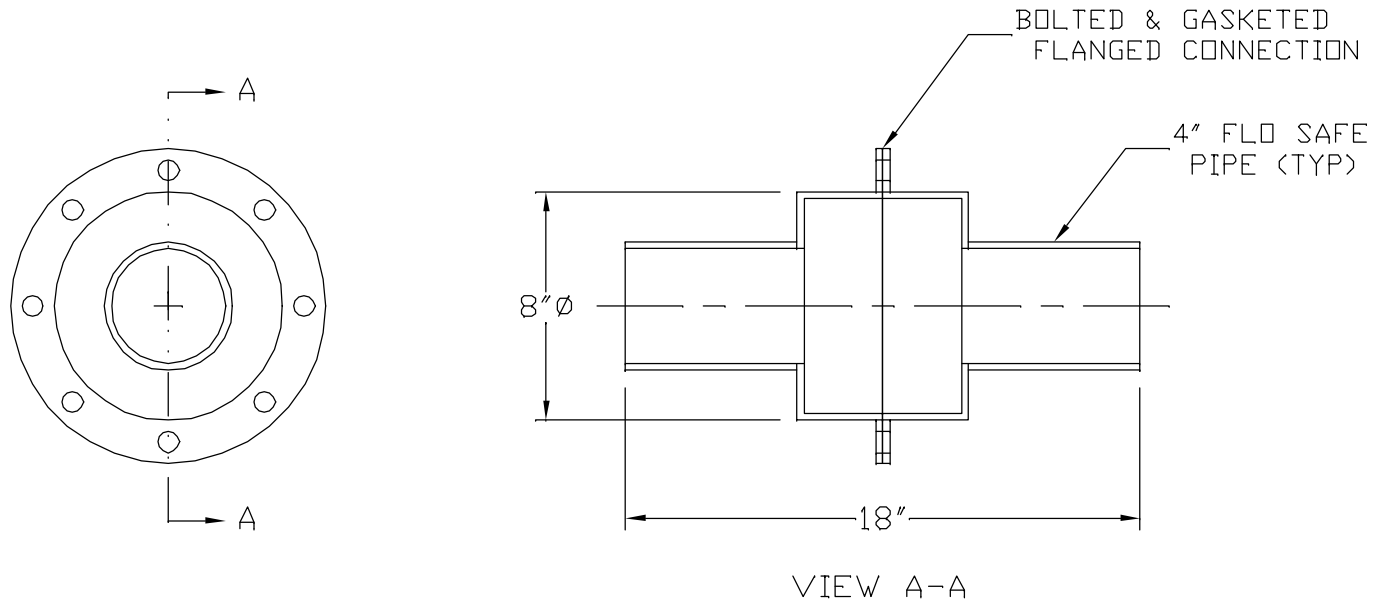
PART # P 92006

FLO SAFE, INC.

P-TRAP BOX FOR  
 6" SYSTEM

DATE	5/12/00	BY	TN	DWG NO	00001425	REV
------	---------	----	----	--------	----------	-----

NOTE: AS WITH THE NATURE OF FABRICATED BOXES, FLO SAFE CONTAINMENT BOXES CAN NOT BE AIR TESTED AND MAY ONLY BE WATER TESTED. IF PIPING IS TO BE AIR TESTED, THE PIPING CONTAINMENT SYSTEM SHOULD BE TERMINATED DOWN PRIOR TO THE CONTAINMENT BOX WITH TERMINATING COUPLINGS AS OFFERED BY FLO SAFE SYSTEMS. THE CONTAINMENT BOX MAY BE HYDROSTATICALLY TESTED FOR LEAKS BY FILLING THE BOX WITH WATER. A DRAIN IS LOCATED IN THE BOTTOM OF THE BOX FOR DISPOSAL OF WATER AFTER TESTING.



NOTE:  
 MATERIAL: POLYPROPYLENE  
 REF: DETAIL 60694

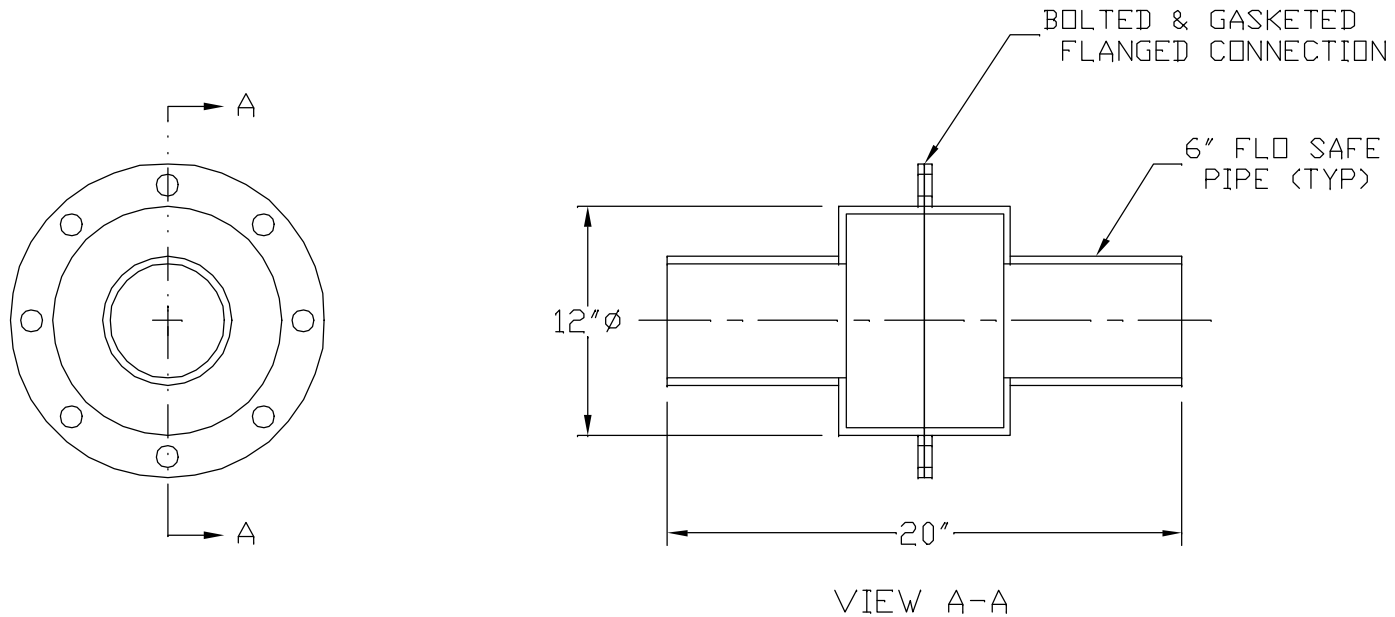
PART # F 92004

FLO SAFE, INC.

FLANGE KIT FOR  
 4" SYSTEM

DATE	5/12/00	BY	TN	DWG NO.	00001426	REV
------	---------	----	----	---------	----------	-----

NOTE: AS WITH THE NATURE OF FABRICATED BOXES, FLO SAFE CONTAINMENT BOXES CAN NOT BE AIR TESTED AND MAY ONLY BE WATER TESTED. IF PIPING IS TO BE AIR TESTED, THE PIPING CONTAINMENT SYSTEM SHOULD BE TERMINATED DOWN PRIOR TO THE CONTAINMENT BOX WITH TERMINATING COUPLINGS AS OFFERED BY FLO SAFE SYSTEMS. THE CONTAINMENT BOX MAY BE HYDROSTATICALLY TESTED FOR LEAKS BY FILLING THE BOX WITH WATER. A DRAIN IS LOCATED IN THE BOTTOM OF THE BOX FOR DISPOSAL OF WATER AFTER TESTING.



NOTE:  
 MATERIAL: POLYPROPYLENE  
 REF: DETAIL 60594

PART # F 92006

FLO SAFE, INC.			
FLANGE KIT FOR 6" SYSTEM			
DATE	BY	DWG NO.	REV
5/12/00	TN	00001427	