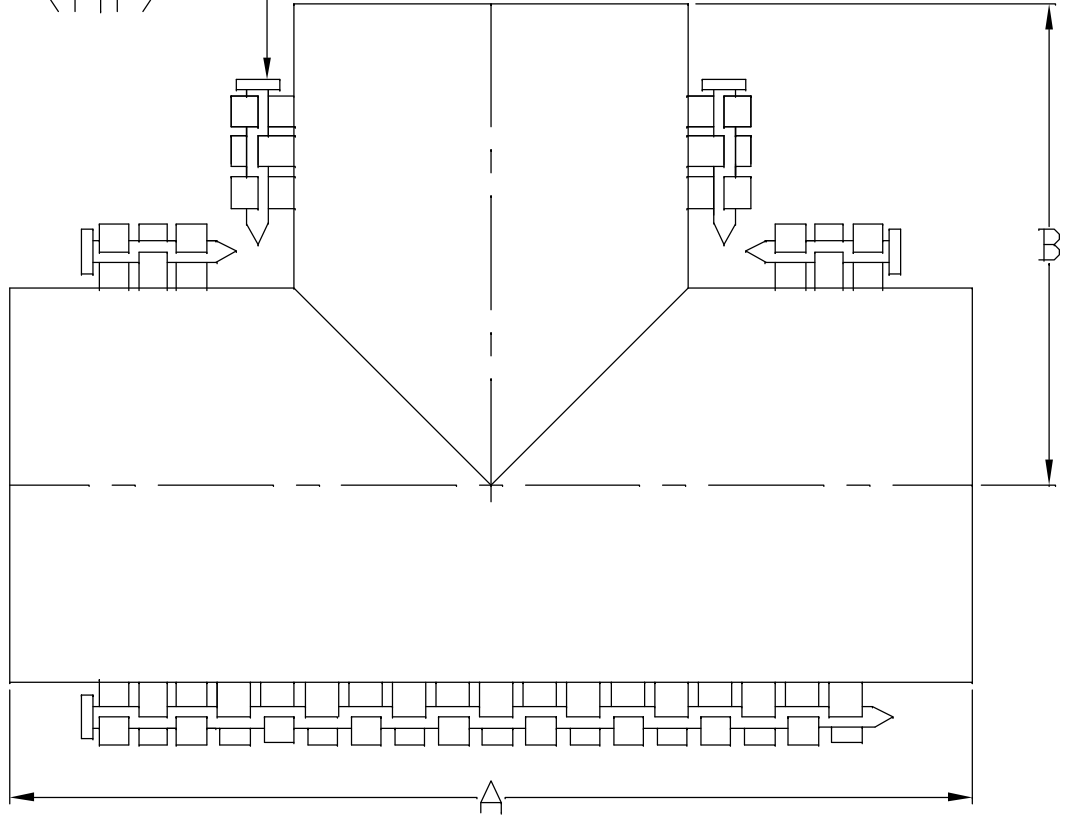


RETAINING PIN  
(TYP)



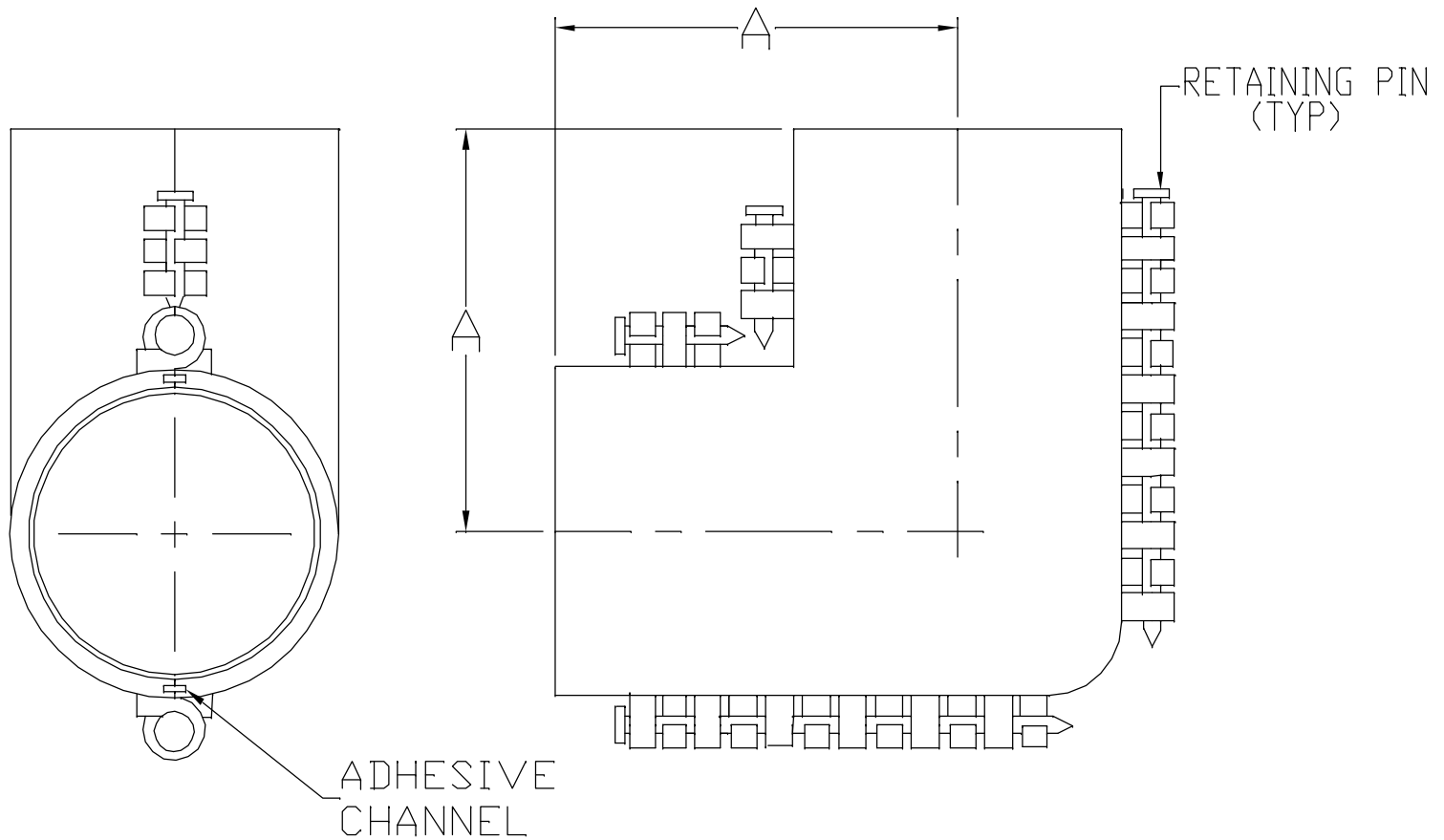
STYLE: BONDED

PART NUMBER	MATL:	4"	6"
	CLEAR PVC	C91040B	C91060B

PIPE SIZE	DIMENSIONS	
	A	B
4"	11"	5½"
6"	18½"	9¼"

FLO SAFE, INC.					
CONTAINMENT FITTINGS 90 DEGREE TEE'S					
DATE	10/20/00	BY	BW	DWG NO.	00001397
				REV	

REF: 100194



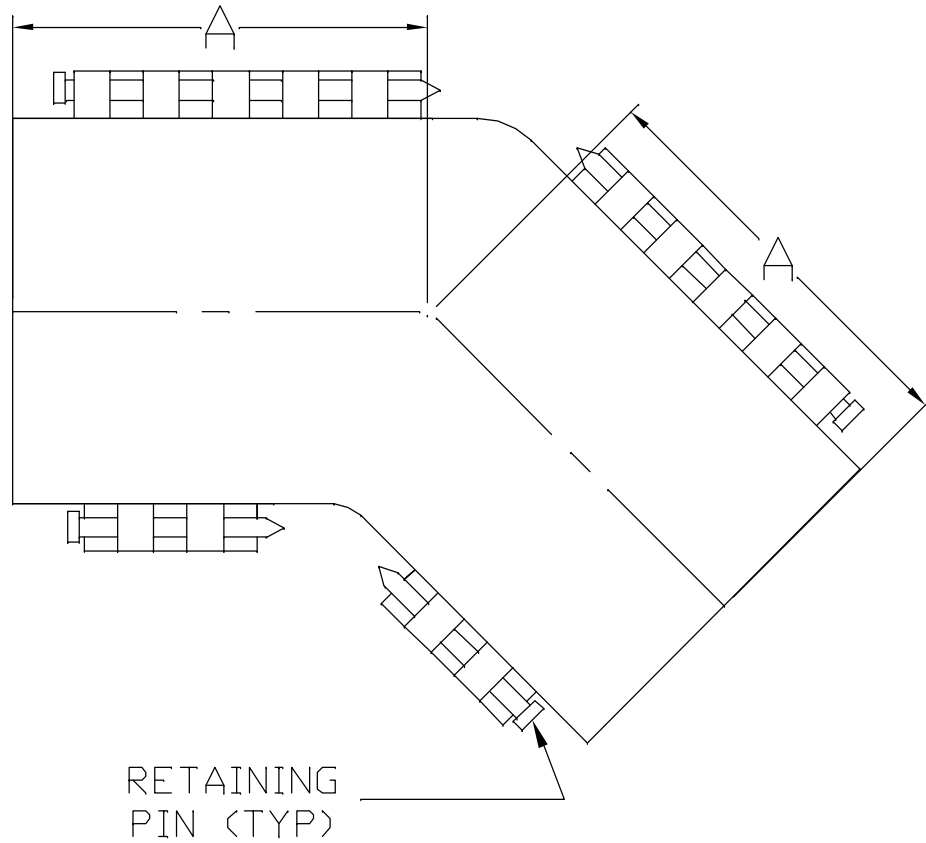
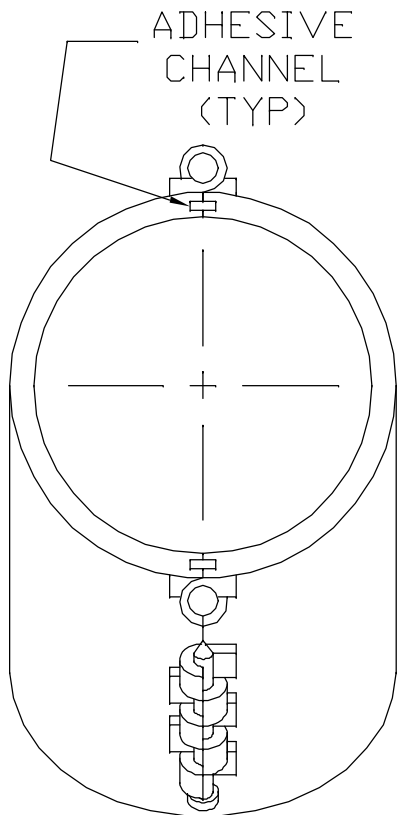
STYLE: BONDED

PART NUMBER	MATL:	4"	6"
	CLEAR PVC	C96040B	C96060B

PIPE SIZE	DIMENSIONS	
	A	B
4"	5½"	
6"	10¾"	

REF: 100294

FLO SAFE, INC.			
CONTAINMENT FITTINGS			
90 DEGREE ELBOWS			
DATE	BY	DWG NO	REV
10/20/00	BW	00001398	



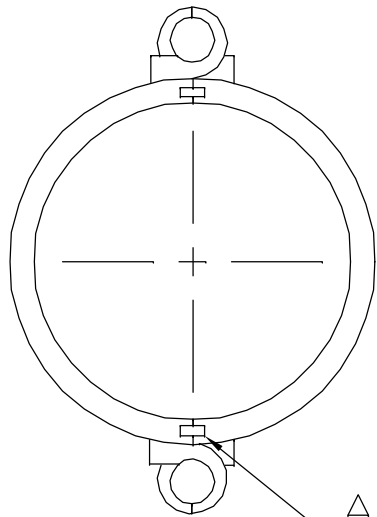
STYLE: BONDED

PART NUMBER	MATL:	4"	6"
	CLEAR PVC	C97040B	C97060B

PIPE SIZE	DIMENSIONS	
	A	
	4"	5½"
6"	8"	

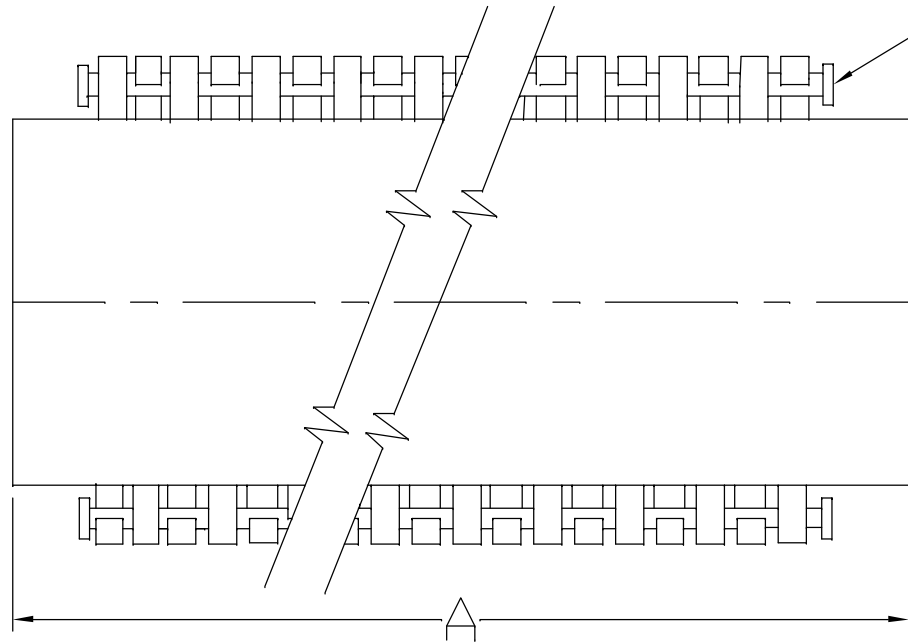
REF: 100394

FLO SAFE, INC.			
CONTAINMENT FITTINGS			
45 DEGREE ELBOWS			
DATE	BY	DWG NO	REV
10/20/00	BW	00001401	



ADHESIVE CHANNEL

RETAINING PIN (TYP)



STYLE: BONDED

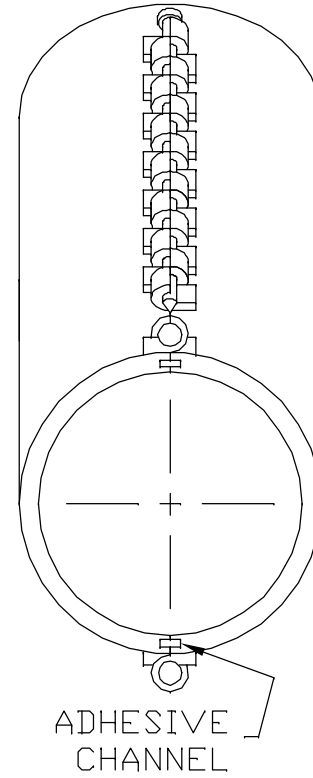
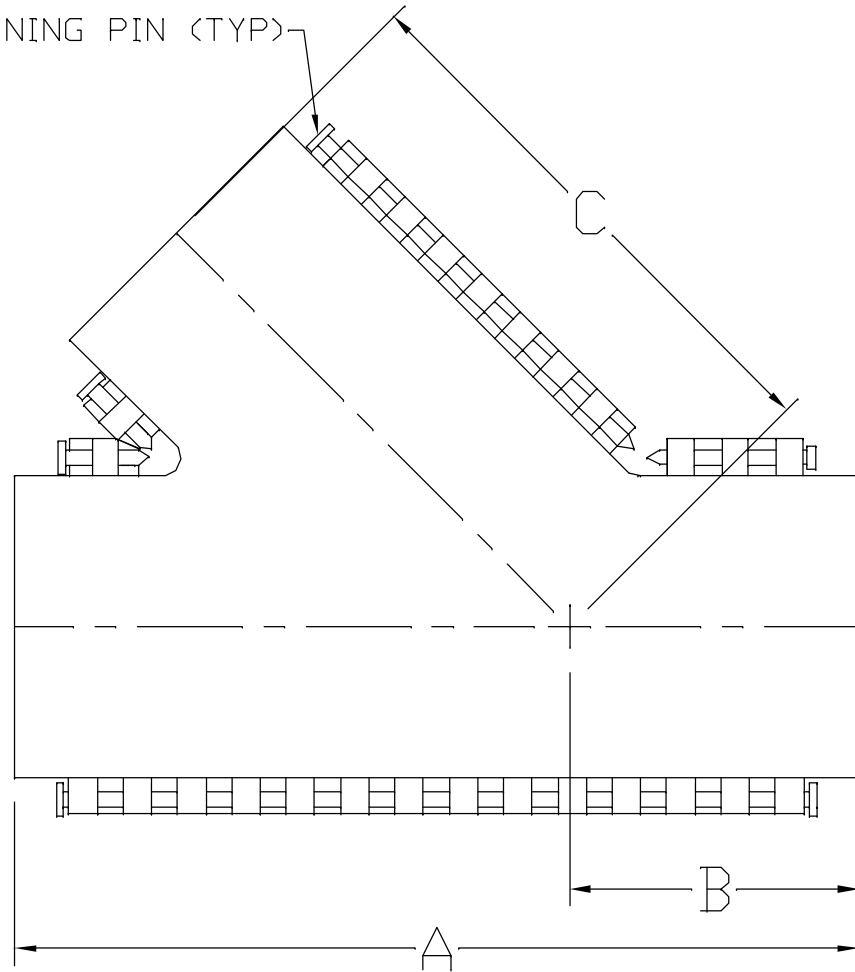
PART NUMBER	MATL:	4"	6"
	CLEAR PVC	C99040B	C99060B

PIPE SIZE	DIMENSIONS	
	A	
4"	18"	
6"	18"	

REF: 100494

FLO SAFE, INC.			
CONTAINMENT FITTINGS COUPLING (SPLIT)			
DATE	10/20/00	BY	BW
DWG NO	00001403	REV	

RETAINING PIN (TYP)



STYLE: BONDED

PART NUMBER	MATL:	4"	6"
	CLEAR PVC	C94040B	C94060B

PIPE SIZE	DIMENSIONS		
	A	B	C
4"	14 $\frac{1}{4}$ "	5"	9 $\frac{1}{4}$ "
6"	22"	8 $\frac{3}{4}$ "	13 $\frac{1}{4}$ "

FLO SAFE, INC.			
CONTAINMENT FITTINGS			
45 WYE (SPLIT)			
DATE	BY	DWG NO.	REV
10/20/00	BW	00001405	

REF: 100594